

Model 1292-KS

Synchro Rotary Position Indicator with Mounting Bracket and Surge Suppression



The preferred position indicating technology where reliability, rugged design, and accurate absolute position data are critical.

APPLICATIONS

- Transformer load tap changers
- Large motors
- Hydro-electric generator gates
- Valves of all kinds
- Machine tools
- Cable reels and hoists
- Screw conveyors, and more

HIGHLIGHTS

- Highly accurate output signal corresponds to rotary position
- Absolute position sensor, no zero-position loss after power-down
- Extra-rugged right-angle bracket assembly for secure installation
- Circuit board terminals for easy wiring connections
- Surge suppression for transient protection
- Reliable, rugged, long-life indicator
- Ideal for power, process, and industrial equipment applications

FEATURES

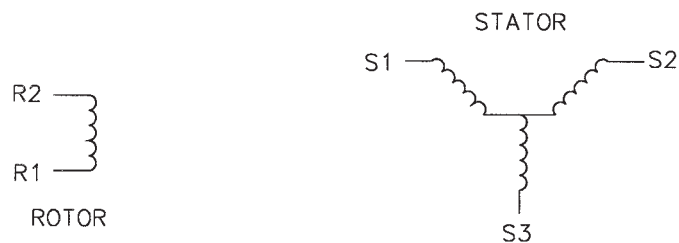
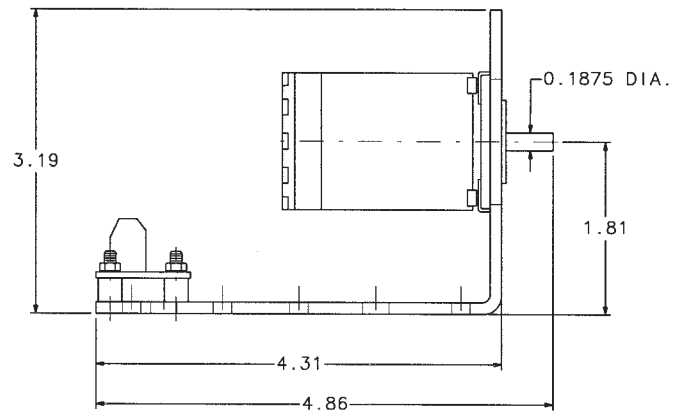
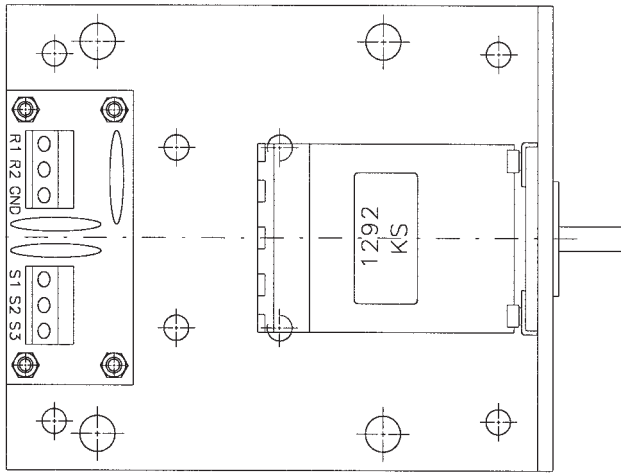
- Very fine resolution-extremely accurate and reliable
- Does not require re-zeroing or periodic calibration
- Excellent noise immunity
- Stable over time and temperature
- Virtually unlimited life

ADVANTAGES

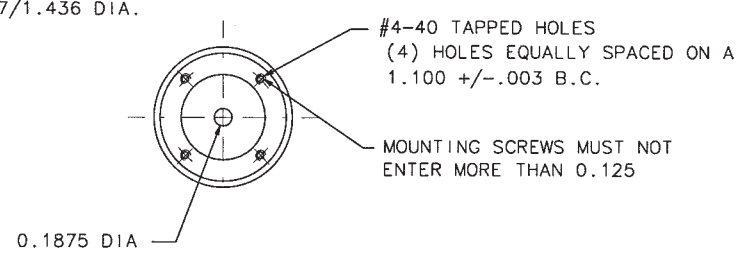
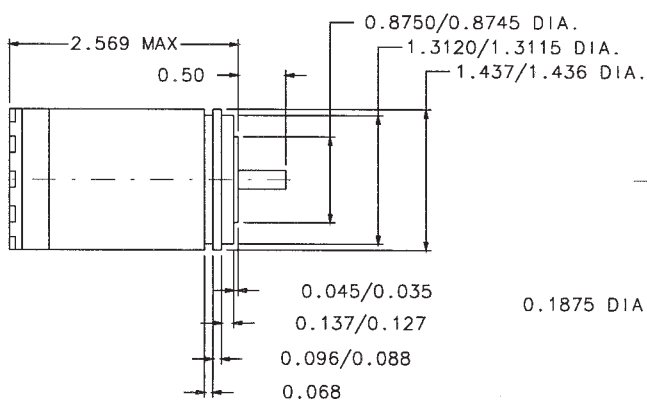
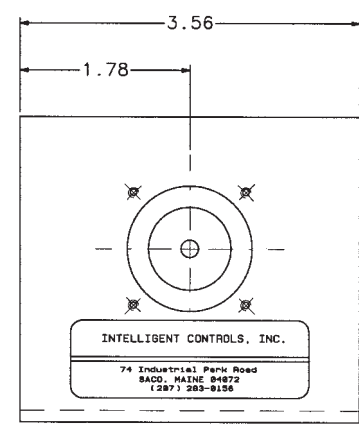
- Designed for use with Models 1250 and 1255 programmable, solid-state data acquisition and display units from INCON
- Extra-rugged right-angle bracket assembly for parallel-to-surface mounting
- Multiple cable termination sizes available
- Circuit board terminations for easy wiring connections
- Surge suppression devices for transient protection

OPTIONS

Product is available without the surge suppression option (Model 1292-K) and without the mounting bracket (Model 1292)



Selsyn® Synchro
(Electrical Connections at Rear)



Side View • Selsyn® Synchro • Front View

FOR MORE INFORMATION CALL:

800-872-3455



000-1236 Rev. B 3/99

74 Industrial Park Road, P.O. Box 638, Saco, Maine 04072
Phone: 207-283-0156/Fax: 207-283-0158
www.intelcon.com/e-mail: sales@intelcon.com

INCON® is a registered trademark of Intelligent Controls, Inc. Selsyn® is a registered trademark of General Electric.