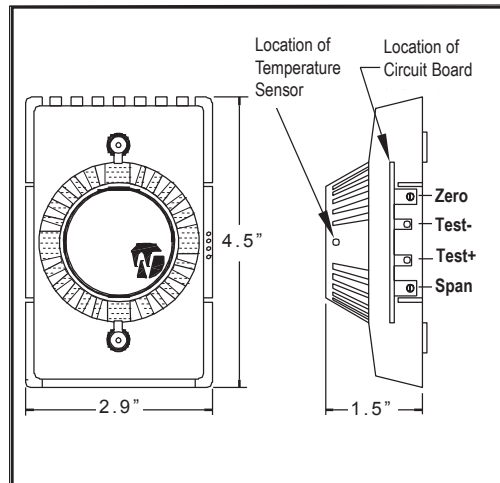


## Model 753 Room Air Sensor



- Attractively styled wall mounted housing designed for even air flow around the sensor and optimal time response.
- Ideal for remote sensing when used in conjunction with the integral temperature transmitter.
- Unique housing design reduces the effects of self-heating created by the transmitter circuitry.
- Built-in test jacks allow easy calibration without having to dismount unit.



### Specifications:

Element Type:	Code	PB	Pt RTD, 100 ohms @ 0°C (32°F), 0.00385 TCR (DIN B)
		PC	Pt RTD, 1000 ohms @ 0°C, (32°F), 0.00385 TCR (DIN B)
		TM	Thermistor, 10,000 ohms @ 25°C (77°F)
Max. Operating Temperature:	150°F		
Sensor Lead Wire:	RTD	Three 24 AWG Teflon insulated	
	Thermistor	Two 20 AWG polyolefin insulated	
Insulation Resistance:	Minimum 100 megohms @ 100 VDC @ (21°C) 70°F		
Stability:	RTD	Typically, 0.26C (0.47°F) over 5 years	
	Themistor	Typically, 1°C (1.8°F) over 5 years	
Accuracy:	RTD	± 0.3°C @ 0°C (± 0.56 °F @ 32°F)	
	Thermistor	± 0.2°C, from 0°C to 78°C (± 0.36 °F, from 32 °F to 158°F)	
	With Transmitter	Add 0.1% of span (RTD only)	
Transmitter Power Supply:	12-40 VDC		
Transmitter Output:	4 to 20 mA		
Load Resistance:	$R_{max} = (V_{supply} - 12V) / 20mA$		



Code	Room Air Sensor
753-PB	RTD, 100 ohms @ 0°C (32°F) (DIN B)
753-PC	RTD, 1000 ohms @ 0°C (32°F) (DIN B)
753-TM	Thermistor, 10,000 ohms @ 25°C (77°F) - not available with transmitter Add code "MT" for match calibrated to transmitter. See RTD General Specifications.

1

For RTD assemblies with Integral Transmitter

Model	Integral Transmitter
XO	100 ohm platinum RTD input / 4-20mA output
X4	1000 ohm platinum RTD input / 4-20mA output

Code	Temperature Range
(__ to __)	Specify C° or F°

2

3

753 - PB - XO - (0° to 100°F)	← Sample Model Number (RTD with Transmitter)
753 - PB	← Sample Model Number (RTD without Transmitter)
- - -	← Your Model Number

