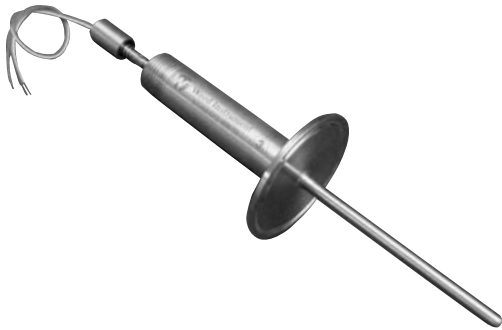


Model 461 Sanitary RTD

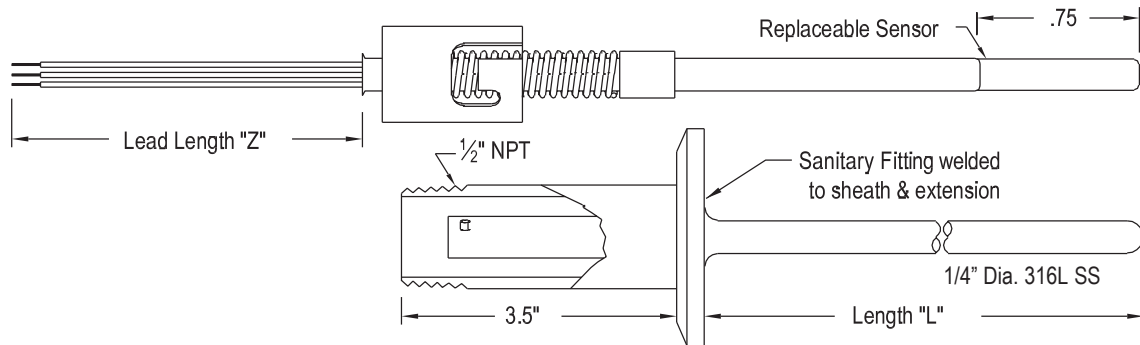
Patent No: 5,632,557

Incorporates a patented design which facilitates easy replacement of the temperature sensing element without the use of a standard thermowell. In addition, sensor replacement is accomplished without breaking the sanitary seal of the process.

Model 461 combines the fast time response characteristics of a standard immersion sanitary sensor with all the advantages of a thermowell.



- Removable sensing element.
- Eliminates need for a thermowell.
- Low replacement sensor cost.
- Permits sensor removal without loss of sanitary seal.
- Fast time response.
- No. 4 sanitary finish meets 3A sanitary finish standards.



Specifications:

1. Base Model	Base Model/Series Number.	
2. A. Accuracy:	Standard	Class B (no code)
	High	Class A (code H)
	Special	Customer Specified (code S)
	* Industry Standard is DIN Curve (code 01B), Platinum, 100@ 0°C. Conforms to IEC 751, ITS-90.	
B. TCR:	Temperature Coefficient of Resistance is the temperature vs. resistance characteristics of platinum, used in manufacturing the RTD. Determines the curve of the RTD.	
C. Ice Point Resistance:	R ₀ - Resistance at 0°C (32°F)	
D. Response Time:	Dependent on sheath diameter, the narrower the diameter - the faster the response.	
3. Construction:	Code A - 316L SS tube and wire construction, thin film element (.00385055), teflon insulated lead wire. Code C - 316L SS tube and wire construction, wire wound element, fiberglass insulated lead wire.	
4. Lead Wires:		
5. Sheath Diameter:	.250" (1/4") is the industry standard.	
6. Sheath Length:	From flange to tip.	
7. Sanitary Fitting:	Select type, size and material.	
8. Leadwire Length:	Length of wires beyond sheath.	



Model	Description		
461	Sanitary RTD		
1	Code	R ₀ & Temperature Coefficient	
	01B	100 ohm Platinum .00385055 TCR (100 ohms @ 0° C) - Industry Standard	
	01A	100 ohm Platinum .003902 TCR (100 ohms @ 0° C)	
	10A	1000 ohm Platinum .003902 TCR (1000 ohms @ 0° C)	
	10B	1000 ohm Platinum .00385055 TCR (1000 ohms @ 0° C)	
	12N	120 ohm Nickel .00672 TCR (120 ohms @ 0° C)	
	09C	10 ohm Copper (9.035) .004274 TCR (10 ohms @ 25° C)	
	Add Code "H" for higher accuracy Add Code "S" for special accuracy Add Code "M" for matched pair. For matching type, see RTD General Specifications.		
	2	Code	Temperature Range
		A	500° F Maximum
3	Code	Number of Lead Wires	
	2	2-Wire (No lead Compensation)	
	3	3-Wire (Lead Compensation)	
	4	4-Wire (Complete Compensation)	
	6	Dual 3-Wire (With dual element)	
8	Dual 4-Wire (With dual element)		
4	Code	Sheath Diameter	
	C	.250" (1/4") Diameter	
	C/N	.250" (1/4") Diameter Sheath/.156" Diameter Tip	
5	Code	Sheath Length	
	XXX.X	Specify length to nearest 0.1"	
6	Code	Sanitary Fitting and Size	
	A	Ladish Tri-Clover	
	G	Cherry -Burrell	
7	Cap	Size in Inches	
		0.5	
		0.75	
		1.0	
		1.5	
		2.0	
		2.5	
	3.0		
	Material	B = 316LSS - Industry Standard	
8	Code	Lead Wire Length	
	Z006	6" Standard with head	
	ZXXX	Other - Specify length and type	

461	-	01B	-	A	-	C	-	4	-	003.5	-	A2.0B	-	Z006
-	-	-	-	-	-	-	-	-	-	-	-	-	-	-

Sample Model Number
Your Model Number

